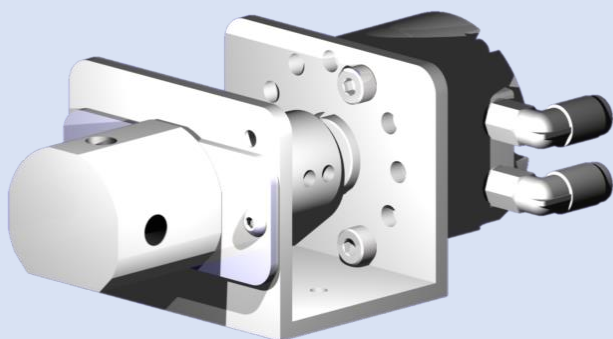
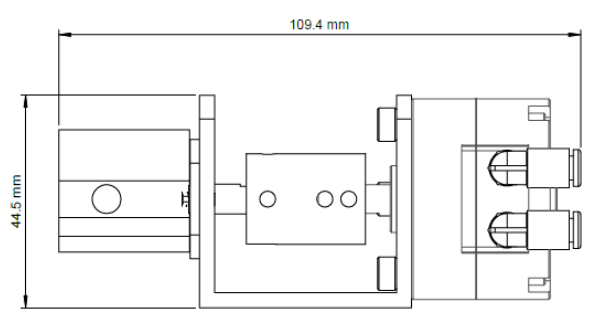
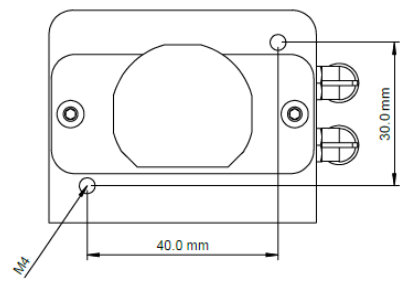
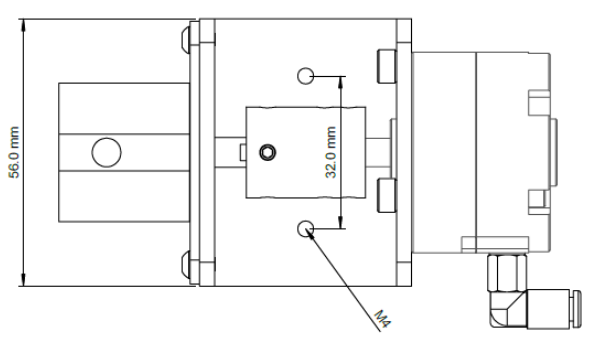
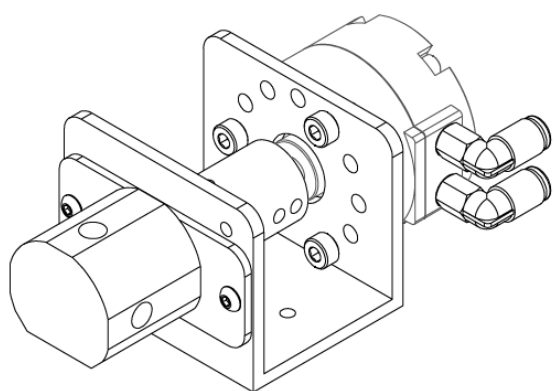


V031032-LP-P-PTFE



Valve Specifications	Fluidic path	PTFE/PCTFE
	Connection	3-way
	Number of Ports	3
	Port style	¼"-28 UNF
	Max pressure	10 bar (145 psi)
Actuation	Type	Pneumatic (Air non lubricated)
	Operating pressure	2-7 bar (30-100 psi)
	Fittings	4 mm



Stracotek reserves the right to change, add, suspend, cancel, remove or otherwise modify the products offered on this brochure at any time without prior notice or obligation.