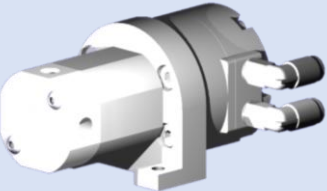
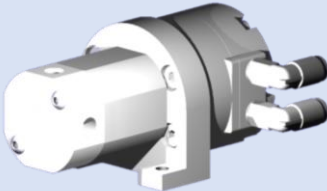
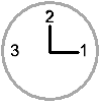

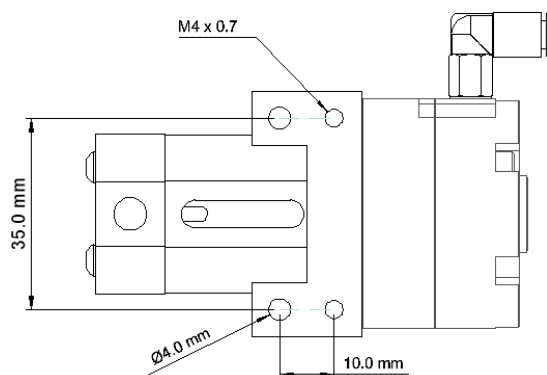
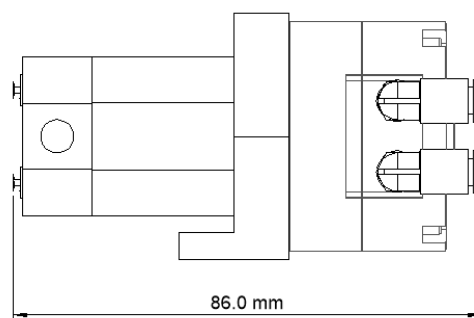
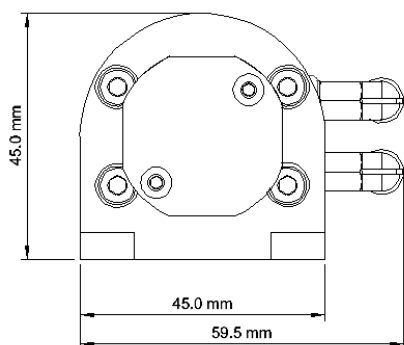


		V031032-MP-P-PTFE	V042032-MP-P-PTFE
			
			
Valve Specifications	Connection	3-way	2 adjacent ports at 90°
	Number of Ports	3	4
	Port style	¼"-28 UNF	¼"-28 UNF
	Orifice	0.8 mm	0.8 mm
	Wetted materials	PTFE/PCTFE	PTFE/PCTFE
	Max pressure	31 bar (450 psi)	31 bar (450 psi)
Actuation	Type	Pneumatic (Air non lubricated)	Pneumatic (Air non lubricated)
	Operating pressure	2-7 bar (30-100 psi)	2-7 bar (30-100 psi)
	Fittings	4 mm	4 mm



Stracotek reserves the right to change, add, suspend, cancel, remove or otherwise modify the products offered on this brochure at any time without prior notice or obligation.