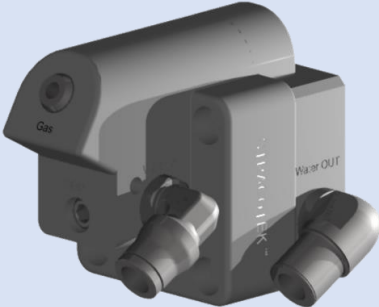
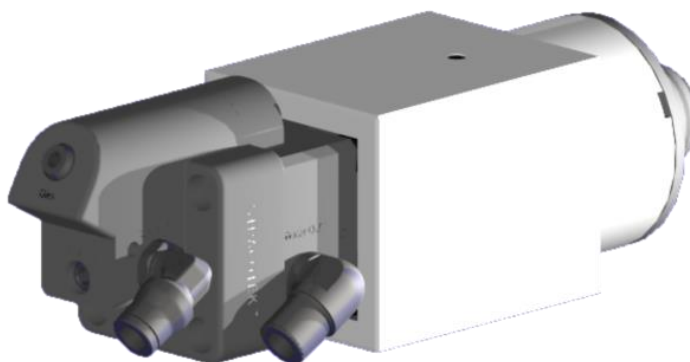


CTLH-SC65-GEMT		
		
Chamber material		Niobium for ^{18}F and ^{68}Ga / Aluminum for ^{13}N
Fill Volume		2.3 mL
Dimensions (mm)		77 (L) x 65 (W) x 63 (H)
Window material		HAVAR®, 25 μm
^{18}F	Max Current	100 μA
	Yield ¹ (2 hr)	5.5 Ci (203 GBq)
^{13}N	Max Current	100 μA
	Yield ¹ (30 min)	400 mCi (14.8 GBq)

This target is fully compatible with the MiniTrace cyclotron beam tube. It does not require Helium cooling.



¹ Yields at EoB. Yield may vary with each cyclotron system

Stracotek reserves the right to change, add, suspend, cancel, remove or otherwise modify the products offered on this brochure at any time without prior notice or obligation.

Ordering Information

Description	Part Number	Image
<i>Target, SC65 for MiniTrace Cyclotrons, Niobium chamber, 6.5 mL.</i>	CTLH-SC65-GEPT-Nb	
<i>Target beam tube</i>	CTLH-GEMT-BT	
<i>Target beam tube with vacuum valve</i>	CTLH-GEMT-BTV	
<i>Rebuild kit (consumables)</i>	TRK-CTLH-SC65-GEPT	
<i>Installation kit (fittings and tubing)</i>	TIK-CTLH-SC65-GEPT	
<i>O-ring pick tool</i>	CTL-TL-OSP	
<i>Window cooler extraction tool</i>	CTLH-TL-DFC	